



GE
Lighting

37
lumens/watt

Mariner 5

NL MARINER 5 249T5EB R LL 220-240 GE

76977



Product information

Standard surface mounted waterproof created for **T5 lamps**. Fitted with electronic ballast as standard. Slim profile luminaire, supplied in single and twin lamp versions for installations. IP65 rated, where effective protection against contamination from water or accidental damage are major considerations for the end-user. Neutral aesthetic renders the product suitable for applications in both commercial and residential environments as well as industrial environments.

GE Lighting **76977**
NL MARINER 5 249T
5EB R LL 220-240
GE

This luminaire is compatible with bulbs of the energy classes

874/2012

Application areas



Industrial



Car park



Retail

Product data

Mounting type	Surface mount
IP Rating	65
Certifications	CE & ENEC
Weight [kg]	2,00
DIALux description	GE - Mariner 5 - 3500lm - 94.35W - 76977[SKU] - Surface mount
Body colour	Grey

Performance data

Total system power	94.35
--------------------	-------

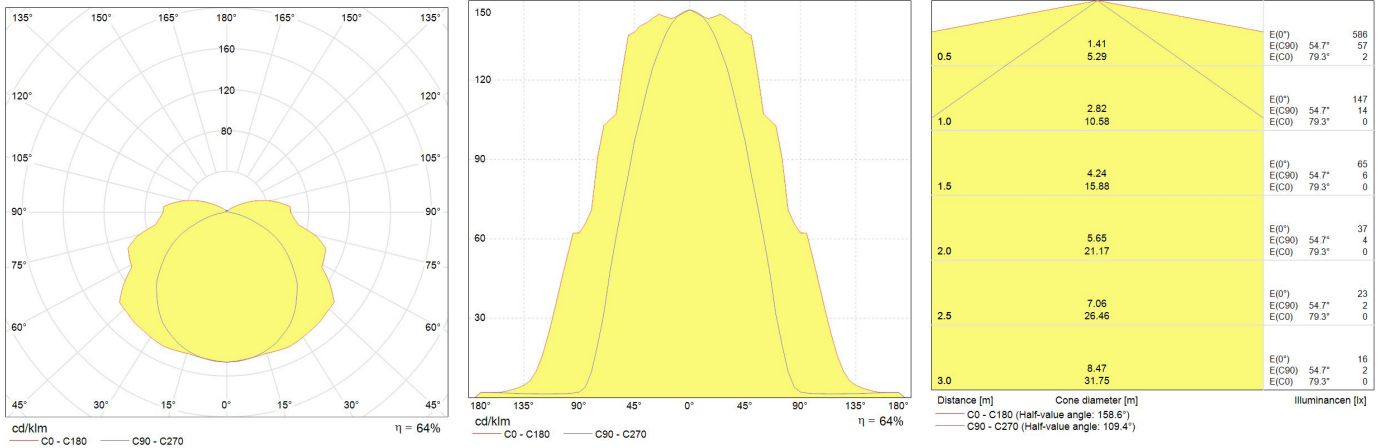
Electrical data

Controllability	Not dimmable electronic (Static)
-----------------	----------------------------------

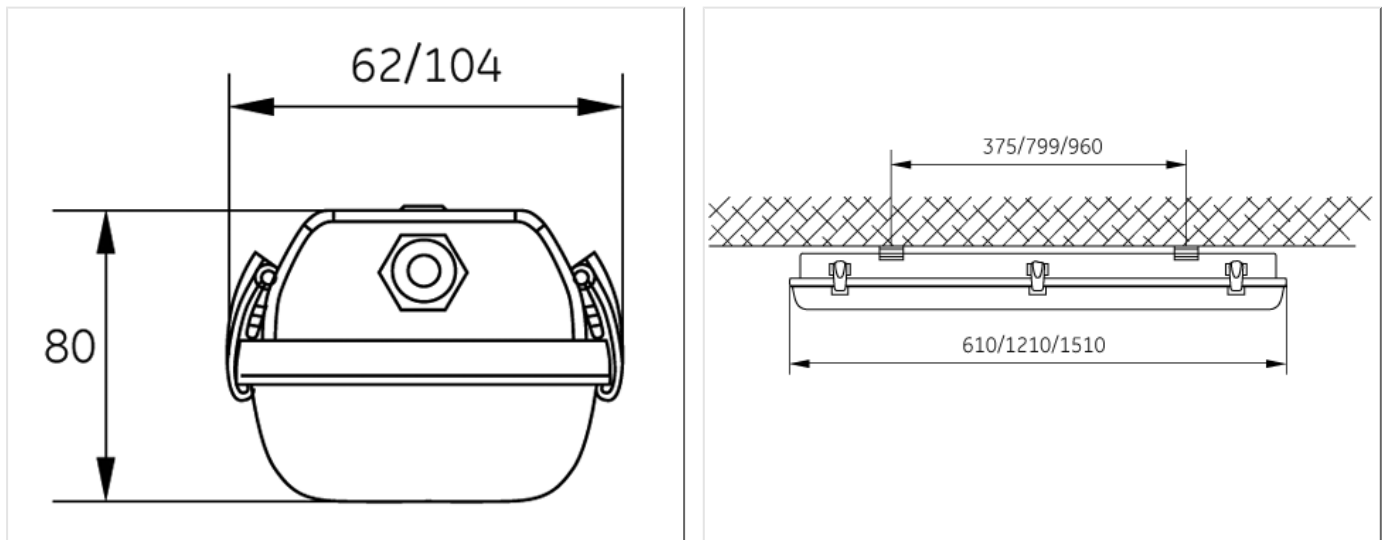
Logistic data

Product status	Phased-out
Pack quantity	1

Photometric Data



Technical drawing



Downloads & Links

[Go to the catalog site \(HTTP\)](#)

[Installation Guide \(PDF\)](#)

[High-resolution image \(HTTP\)](#)

[Traditional Indoor Luminaires Spectrum Catalogue \(PDF\)](#)

[Lighting design tools & calculators \(HTTP\)](#)

[Traditional Indoor Luminaires Catalogue \(PDF\)](#)

[Lighting design tools & calculators \(HTTP\)](#)

[Certificate for the Quality Management System of GE Lighting EMEA \(PDF\)](#)

[Certificate for the Environmental Management System of GE Lighting EMEA \(PDF\)](#)